

RADO



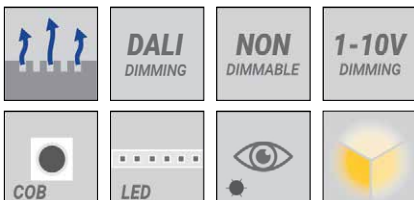
Sturdy classic wall-recessed pathway and stair luminaire. Simple pleasing aesthetic and sturdy construction, perfect for retrofit applications with its multiple sizes offered.

Luminaire Structure

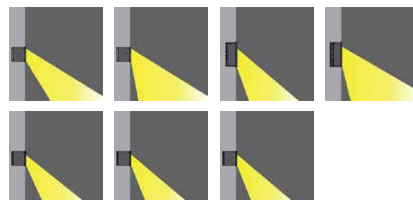
- Low copper content die-cast aluminium housing with a high corrosion resistance
- Stainless steel fasteners in grade 316
- Durable silicone rubber gasket
- Toughened glass diffuser
- Double cable entry
- Housing is treated with a chemical chromatised protection before powder coating, ensuring high corrosion resistance



Feature Symbols



Light Symbols



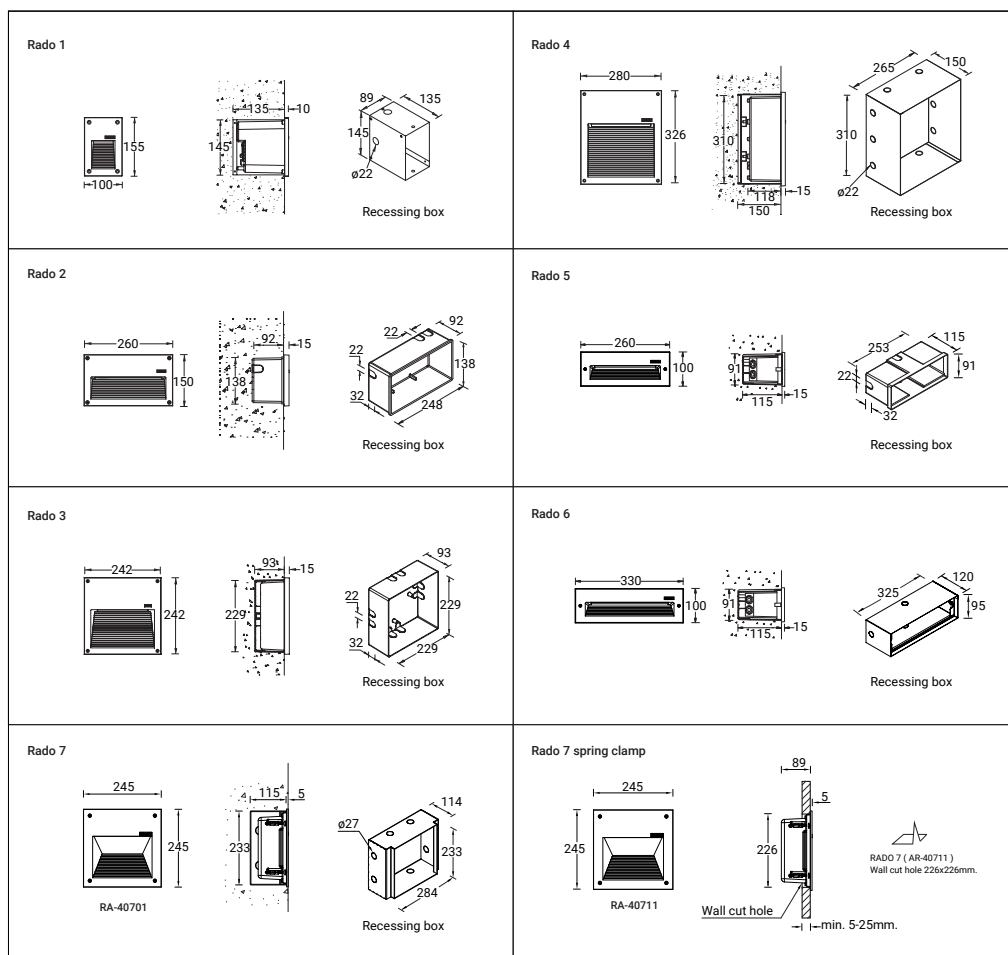
Product colors



RADO

Technical information

	Model No.	Lamp	Power	Lumen	Optic	CCT	Dimming type	Efficacy	EEC	CRI	Weight
					G						
With recessing box											
RADO 1	RA-40531	1 COB	4 W	133 lm	36°x50°	3000K, 4000K	On/Off	31 - 33 lm/W	A++	-	1.0 kg
RADO 2	RA-40542	4 x 12 LED	17 W	620 lm	23°x94°	3000K, 4000K	1-10V, DALI, On/Off	25 - 27 lm/W	A++	-	1.2 kg
RADO 3	RA-40552	3 x 12 LED	13 W	540 lm	50°x80°	3000K, 4000K	1-10V, DALI, On/Off	39 - 42 lm/W	A++	-	2.0 kg
RADO 4	RA-40562	4 x 12 LED	27 W	853 lm	50°x75°	3000K, 4000K	1-10V, DALI, On/Off	25 - 27 lm/W	A+	-	4.0 kg
RADO 5	RA-40582	4 x 12 LED	17 W	447 lm	32°x88°	3000K, 4000K	1-10V, DALI, On/Off	18 - 19 lm/W	A++	-	1.4 kg
RADO 6	RA-40692	30 LED	11 W	326 lm	31°x88°	3000K, 4000K	On/Off	40 - 43 lm/W	A++	-	2.5 kg
RADO 7	RA-40701	1 COB	20 W	1339 lm	42°x69°	3000K, 4000K	1-10V, DALI, On/Off	69 - 70 lm/W	A+	-	6.5 kg
With spring clamp											
RADO 7	RA-40711	1 COB	20 W	1339 lm	42°x69°	3000K, 4000K	1-10V, DALI, On/Off	69 - 70 lm/W	A+	-, Ra > 80	4.6 kg.



Format Reference Format Name

RA-40531-W30-ND-05	RADO 1 - RA-40531 - 1 COB - 4 W - 36°x50° - 3000K - On/Off - Matt Silver
RA-40531-W40-ND-05	RADO 1 - RA-40531 - 1 COB - 4 W - 36°x50° - 4000K - On/Off - Matt Silver
RA-40531-W30-ND-03	RADO 1 - RA-40531 - 1 COB - 4 W - 36°x50° - 3000K - On/Off - White
RA-40531-W40-ND-03	RADO 1 - RA-40531 - 1 COB - 4 W - 36°x50° - 4000K - On/Off - White
RA-40531-W30-ND-02	RADO 1 - RA-40531 - 1 COB - 4 W - 36°x50° - 3000K - On/Off - Dark Grey
RA-40531-W40-ND-02	RADO 1 - RA-40531 - 1 COB - 4 W - 36°x50° - 4000K - On/Off - Dark Grey
RA-40531-W30-ND-01	RADO 1 - RA-40531 - 1 COB - 4 W - 36°x50° - 3000K - On/Off - Black

RADO

RA-40531-W40-ND-01	RADO 1 - RA-40531 - 1 COB - 4 W - 36°x50° - 4000K - On/Off - Black
RA-40531-W30-ND-06	RADO 1 - RA-40531 - 1 COB - 4 W - 36°x50° - 3000K - On/Off - Bronze
RA-40531-W40-ND-06	RADO 1 - RA-40531 - 1 COB - 4 W - 36°x50° - 4000K - On/Off - Bronze
RA-40542-W40-DI-06	RADO 2 - RA-40542 - 4 x 12 LED - 17 W - 23°x94° - 4000K - 1-10V - Bronze
RA-40542-W30-DI-06	RADO 2 - RA-40542 - 4 x 12 LED - 17 W - 23°x94° - 3000K - 1-10V - Bronze
RA-40542-W40-ND-06	RADO 2 - RA-40542 - 4 x 12 LED - 17 W - 23°x94° - 4000K - On/Off - Bronze
RA-40542-W30-ND-06	RADO 2 - RA-40542 - 4 x 12 LED - 17 W - 23°x94° - 3000K - On/Off - Bronze
RA-40542-W40-ND-02	RADO 2 - RA-40542 - 4 x 12 LED - 17 W - 23°x94° - 4000K - On/Off - Dark Grey
RA-40542-W30-ND-02	RADO 2 - RA-40542 - 4 x 12 LED - 17 W - 23°x94° - 3000K - On/Off - Dark Grey
RA-40542-W40-ND-05	RADO 2 - RA-40542 - 4 x 12 LED - 17 W - 23°x94° - 4000K - On/Off - Matt Silver
RA-40542-W30-ND-05	RADO 2 - RA-40542 - 4 x 12 LED - 17 W - 23°x94° - 3000K - On/Off - Matt Silver
RA-40542-W40-ND-01	RADO 2 - RA-40542 - 4 x 12 LED - 17 W - 23°x94° - 4000K - On/Off - Black
RA-40542-W30-ND-01	RADO 2 - RA-40542 - 4 x 12 LED - 17 W - 23°x94° - 3000K - On/Off - Black
RA-40542-W40-DA-03	RADO 2 - RA-40542 - 4 x 12 LED - 17 W - 23°x94° - 4000K - DALI - White
RA-40542-W30-DA-03	RADO 2 - RA-40542 - 4 x 12 LED - 17 W - 23°x94° - 3000K - DALI - White
RA-40542-W40-DA-01	RADO 2 - RA-40542 - 4 x 12 LED - 17 W - 23°x94° - 4000K - DALI - Black
RA-40542-W30-DA-01	RADO 2 - RA-40542 - 4 x 12 LED - 17 W - 23°x94° - 3000K - DALI - Black
RA-40542-W40-DA-05	RADO 2 - RA-40542 - 4 x 12 LED - 17 W - 23°x94° - 4000K - DALI - Matt Silver
RA-40542-W30-DA-05	RADO 2 - RA-40542 - 4 x 12 LED - 17 W - 23°x94° - 3000K - DALI - Matt Silver
RA-40542-W40-DA-02	RADO 2 - RA-40542 - 4 x 12 LED - 17 W - 23°x94° - 4000K - DALI - Dark Grey
RA-40542-W30-DA-02	RADO 2 - RA-40542 - 4 x 12 LED - 17 W - 23°x94° - 3000K - DALI - Dark Grey
RA-40542-W40-DA-06	RADO 2 - RA-40542 - 4 x 12 LED - 17 W - 23°x94° - 4000K - DALI - Bronze
RA-40542-W30-DA-06	RADO 2 - RA-40542 - 4 x 12 LED - 17 W - 23°x94° - 3000K - DALI - Bronze
RA-40542-W40-DI-01	RADO 2 - RA-40542 - 4 x 12 LED - 17 W - 23°x94° - 4000K - 1-10V - Black
RA-40542-W30-DI-01	RADO 2 - RA-40542 - 4 x 12 LED - 17 W - 23°x94° - 3000K - 1-10V - Black
RA-40542-W40-DI-03	RADO 2 - RA-40542 - 4 x 12 LED - 17 W - 23°x94° - 4000K - 1-10V - White
RA-40542-W30-DI-03	RADO 2 - RA-40542 - 4 x 12 LED - 17 W - 23°x94° - 3000K - 1-10V - White
RA-40542-W40-DI-05	RADO 2 - RA-40542 - 4 x 12 LED - 17 W - 23°x94° - 4000K - 1-10V - Matt Silver
RA-40542-W30-DI-05	RADO 2 - RA-40542 - 4 x 12 LED - 17 W - 23°x94° - 3000K - 1-10V - Matt Silver
RA-40542-W40-DI-02	RADO 2 - RA-40542 - 4 x 12 LED - 17 W - 23°x94° - 4000K - 1-10V - Dark Grey
RA-40542-W30-DI-02	RADO 2 - RA-40542 - 4 x 12 LED - 17 W - 23°x94° - 3000K - 1-10V - Dark Grey
RA-40542-W40-ND-03	RADO 2 - RA-40542 - 4 x 12 LED - 17 W - 23°x94° - 4000K - On/Off - White
RA-40542-W30-ND-03	RADO 2 - RA-40542 - 4 x 12 LED - 17 W - 23°x94° - 3000K - On/Off - White
RA-40552-W30-DI-02	RADO 3 - RA-40552 - 3 x 12 LED - 13 W - 50°x80° - 3000K - 1-10V - Dark Grey
RA-40552-W40-DI-02	RADO 3 - RA-40552 - 3 x 12 LED - 13 W - 50°x80° - 4000K - 1-10V - Dark Grey
RA-40552-W30-DI-01	RADO 3 - RA-40552 - 3 x 12 LED - 13 W - 50°x80° - 3000K - 1-10V - Black
RA-40552-W40-DI-01	RADO 3 - RA-40552 - 3 x 12 LED - 13 W - 50°x80° - 4000K - 1-10V - Black
RA-40552-W30-DA-03	RADO 3 - RA-40552 - 3 x 12 LED - 13 W - 50°x80° - 3000K - DALI - White
RA-40552-W40-DA-03	RADO 3 - RA-40552 - 3 x 12 LED - 13 W - 50°x80° - 4000K - DALI - White
RA-40552-W30-DA-01	RADO 3 - RA-40552 - 3 x 12 LED - 13 W - 50°x80° - 3000K - DALI - Black
RA-40552-W40-DA-01	RADO 3 - RA-40552 - 3 x 12 LED - 13 W - 50°x80° - 4000K - DALI - Black
RA-40552-W30-DA-06	RADO 3 - RA-40552 - 3 x 12 LED - 13 W - 50°x80° - 3000K - DALI - Bronze
RA-40552-W40-DA-06	RADO 3 - RA-40552 - 3 x 12 LED - 13 W - 50°x80° - 4000K - DALI - Bronze
RA-40552-W30-DA-05	RADO 3 - RA-40552 - 3 x 12 LED - 13 W - 50°x80° - 3000K - DALI - Matt Silver
RA-40552-W40-DA-05	RADO 3 - RA-40552 - 3 x 12 LED - 13 W - 50°x80° - 4000K - DALI - Matt Silver
RA-40552-W30-DA-02	RADO 3 - RA-40552 - 3 x 12 LED - 13 W - 50°x80° - 3000K - DALI - Dark Grey
RA-40552-W40-DA-02	RADO 3 - RA-40552 - 3 x 12 LED - 13 W - 50°x80° - 4000K - DALI - Dark Grey
RA-40552-W30-DI-03	RADO 3 - RA-40552 - 3 x 12 LED - 13 W - 50°x80° - 3000K - 1-10V - White
RA-40552-W40-DI-03	RADO 3 - RA-40552 - 3 x 12 LED - 13 W - 50°x80° - 4000K - 1-10V - White
RA-40552-W30-DI-05	RADO 3 - RA-40552 - 3 x 12 LED - 13 W - 50°x80° - 3000K - 1-10V - Matt Silver
RA-40552-W40-DI-05	RADO 3 - RA-40552 - 3 x 12 LED - 13 W - 50°x80° - 4000K - 1-10V - Matt Silver
RA-40552-W30-ND-03	RADO 3 - RA-40552 - 3 x 12 LED - 13 W - 50°x80° - 3000K - On/Off - White
RA-40552-W40-ND-03	RADO 3 - RA-40552 - 3 x 12 LED - 13 W - 50°x80° - 4000K - On/Off - White
RA-40552-W30-ND-01	RADO 3 - RA-40552 - 3 x 12 LED - 13 W - 50°x80° - 3000K - On/Off - Black
RA-40552-W40-ND-01	RADO 3 - RA-40552 - 3 x 12 LED - 13 W - 50°x80° - 4000K - On/Off - Black
RA-40552-W30-ND-06	RADO 3 - RA-40552 - 3 x 12 LED - 13 W - 50°x80° - 3000K - On/Off - Bronze
RA-40552-W40-ND-06	RADO 3 - RA-40552 - 3 x 12 LED - 13 W - 50°x80° - 4000K - On/Off - Bronze
RA-40552-W30-ND-05	RADO 3 - RA-40552 - 3 x 12 LED - 13 W - 50°x80° - 3000K - On/Off - Matt Silver
RA-40552-W40-ND-05	RADO 3 - RA-40552 - 3 x 12 LED - 13 W - 50°x80° - 4000K - On/Off - Matt Silver
RA-40552-W30-ND-02	RADO 3 - RA-40552 - 3 x 12 LED - 13 W - 50°x80° - 3000K - On/Off - Dark Grey

RADO

RA-40552-W40-ND-02	RADO 3 - RA-40552 - 3 x 12 LED - 13 W - 50°x80° - 4000K - On/Off - Dark Grey
RA-40552-W30-DI-06	RADO 3 - RA-40552 - 3 x 12 LED - 13 W - 50°x80° - 3000K - 1-10V - Bronze
RA-40552-W40-DI-06	RADO 3 - RA-40552 - 3 x 12 LED - 13 W - 50°x80° - 4000K - 1-10V - Bronze
RA-40562-W30-DI-06	RADO 4 - RA-40562 - 4 x 12 LED - 27 W - 50°x75° - 3000K - 1-10V - Bronze
RA-40562-W40-DI-06	RADO 4 - RA-40562 - 4 x 12 LED - 27 W - 50°x75° - 4000K - 1-10V - Bronze
RA-40562-W30-DA-01	RADO 4 - RA-40562 - 4 x 12 LED - 27 W - 50°x75° - 3000K - DALI - Black
RA-40562-W40-DA-01	RADO 4 - RA-40562 - 4 x 12 LED - 27 W - 50°x75° - 4000K - DALI - Black
RA-40562-W30-DA-05	RADO 4 - RA-40562 - 4 x 12 LED - 27 W - 50°x75° - 3000K - DALI - Matt Silver
RA-40562-W40-DA-05	RADO 4 - RA-40562 - 4 x 12 LED - 27 W - 50°x75° - 4000K - DALI - Matt Silver
RA-40562-W30-DA-06	RADO 4 - RA-40562 - 4 x 12 LED - 27 W - 50°x75° - 3000K - DALI - Bronze
RA-40562-W40-DA-06	RADO 4 - RA-40562 - 4 x 12 LED - 27 W - 50°x75° - 4000K - DALI - Bronze
RA-40562-W30-DA-03	RADO 4 - RA-40562 - 4 x 12 LED - 27 W - 50°x75° - 3000K - DALI - White
RA-40562-W40-DA-03	RADO 4 - RA-40562 - 4 x 12 LED - 27 W - 50°x75° - 4000K - DALI - White
RA-40562-W30-DI-05	RADO 4 - RA-40562 - 4 x 12 LED - 27 W - 50°x75° - 3000K - 1-10V - Matt Silver
RA-40562-W40-DI-05	RADO 4 - RA-40562 - 4 x 12 LED - 27 W - 50°x75° - 4000K - 1-10V - Matt Silver
RA-40562-W30-DI-02	RADO 4 - RA-40562 - 4 x 12 LED - 27 W - 50°x75° - 3000K - 1-10V - Dark Grey
RA-40562-W40-DI-02	RADO 4 - RA-40562 - 4 x 12 LED - 27 W - 50°x75° - 4000K - 1-10V - Dark Grey
RA-40562-W30-DI-03	RADO 4 - RA-40562 - 4 x 12 LED - 27 W - 50°x75° - 3000K - 1-10V - White
RA-40562-W40-DI-03	RADO 4 - RA-40562 - 4 x 12 LED - 27 W - 50°x75° - 4000K - 1-10V - White
RA-40562-W30-ND-05	RADO 4 - RA-40562 - 4 x 12 LED - 27 W - 50°x75° - 3000K - On/Off - Matt Silver
RA-40562-W40-ND-05	RADO 4 - RA-40562 - 4 x 12 LED - 27 W - 50°x75° - 4000K - On/Off - Matt Silver
RA-40562-W30-ND-02	RADO 4 - RA-40562 - 4 x 12 LED - 27 W - 50°x75° - 3000K - On/Off - Dark Grey
RA-40562-W40-ND-02	RADO 4 - RA-40562 - 4 x 12 LED - 27 W - 50°x75° - 4000K - On/Off - Dark Grey
RA-40562-W30-DA-02	RADO 4 - RA-40562 - 4 x 12 LED - 27 W - 50°x75° - 3000K - DALI - Dark Grey
RA-40562-W40-DA-02	RADO 4 - RA-40562 - 4 x 12 LED - 27 W - 50°x75° - 4000K - DALI - Dark Grey
RA-40562-W30-ND-06	RADO 4 - RA-40562 - 4 x 12 LED - 27 W - 50°x75° - 3000K - On/Off - Bronze
RA-40562-W40-ND-06	RADO 4 - RA-40562 - 4 x 12 LED - 27 W - 50°x75° - 4000K - On/Off - Bronze
RA-40562-W30-ND-01	RADO 4 - RA-40562 - 4 x 12 LED - 27 W - 50°x75° - 3000K - On/Off - Black
RA-40562-W40-ND-01	RADO 4 - RA-40562 - 4 x 12 LED - 27 W - 50°x75° - 4000K - On/Off - Black
RA-40562-W30-ND-03	RADO 4 - RA-40562 - 4 x 12 LED - 27 W - 50°x75° - 3000K - On/Off - White
RA-40562-W40-ND-03	RADO 4 - RA-40562 - 4 x 12 LED - 27 W - 50°x75° - 4000K - On/Off - White
RA-40562-W30-DI-01	RADO 4 - RA-40562 - 4 x 12 LED - 27 W - 50°x75° - 3000K - 1-10V - Black
RA-40562-W40-DI-01	RADO 4 - RA-40562 - 4 x 12 LED - 27 W - 50°x75° - 4000K - 1-10V - Black
RA-40582-W30-DA-02	RADO 5 - RA-40582 - 4 x 12 LED - 17 W - 32°x88° - 3000K - DALI - Dark Grey
RA-40582-W40-DA-02	RADO 5 - RA-40582 - 4 x 12 LED - 17 W - 32°x88° - 4000K - DALI - Dark Grey
RA-40582-W30-DA-01	RADO 5 - RA-40582 - 4 x 12 LED - 17 W - 32°x88° - 3000K - DALI - Black
RA-40582-W40-DA-01	RADO 5 - RA-40582 - 4 x 12 LED - 17 W - 32°x88° - 4000K - DALI - Black
RA-40582-W30-DA-05	RADO 5 - RA-40582 - 4 x 12 LED - 17 W - 32°x88° - 3000K - DALI - Matt Silver
RA-40582-W40-DA-05	RADO 5 - RA-40582 - 4 x 12 LED - 17 W - 32°x88° - 4000K - DALI - Matt Silver
RA-40582-W30-DA-03	RADO 5 - RA-40582 - 4 x 12 LED - 17 W - 32°x88° - 3000K - DALI - White
RA-40582-W40-DA-03	RADO 5 - RA-40582 - 4 x 12 LED - 17 W - 32°x88° - 4000K - DALI - White
RA-40582-W30-DI-06	RADO 5 - RA-40582 - 4 x 12 LED - 17 W - 32°x88° - 3000K - 1-10V - Bronze
RA-40582-W40-DI-06	RADO 5 - RA-40582 - 4 x 12 LED - 17 W - 32°x88° - 4000K - 1-10V - Bronze
RA-40582-W30-DI-01	RADO 5 - RA-40582 - 4 x 12 LED - 17 W - 32°x88° - 3000K - 1-10V - Black
RA-40582-W40-DI-01	RADO 5 - RA-40582 - 4 x 12 LED - 17 W - 32°x88° - 4000K - 1-10V - Black
RA-40582-W30-DI-02	RADO 5 - RA-40582 - 4 x 12 LED - 17 W - 32°x88° - 3000K - 1-10V - Dark Grey
RA-40582-W40-DI-02	RADO 5 - RA-40582 - 4 x 12 LED - 17 W - 32°x88° - 4000K - 1-10V - Dark Grey
RA-40582-W30-DI-03	RADO 5 - RA-40582 - 4 x 12 LED - 17 W - 32°x88° - 3000K - 1-10V - White
RA-40582-W40-DI-03	RADO 5 - RA-40582 - 4 x 12 LED - 17 W - 32°x88° - 4000K - 1-10V - White
RA-40582-W30-ND-06	RADO 5 - RA-40582 - 4 x 12 LED - 17 W - 32°x88° - 3000K - On/Off - Bronze
RA-40582-W40-ND-06	RADO 5 - RA-40582 - 4 x 12 LED - 17 W - 32°x88° - 4000K - On/Off - Bronze
RA-40582-W30-ND-01	RADO 5 - RA-40582 - 4 x 12 LED - 17 W - 32°x88° - 3000K - On/Off - Black
RA-40582-W40-ND-01	RADO 5 - RA-40582 - 4 x 12 LED - 17 W - 32°x88° - 4000K - On/Off - Black
RA-40582-W30-ND-02	RADO 5 - RA-40582 - 4 x 12 LED - 17 W - 32°x88° - 3000K - On/Off - Dark Grey
RA-40582-W40-ND-02	RADO 5 - RA-40582 - 4 x 12 LED - 17 W - 32°x88° - 4000K - On/Off - Dark Grey
RA-40582-W30-ND-05	RADO 5 - RA-40582 - 4 x 12 LED - 17 W - 32°x88° - 3000K - On/Off - Matt Silver
RA-40582-W40-ND-05	RADO 5 - RA-40582 - 4 x 12 LED - 17 W - 32°x88° - 4000K - On/Off - Matt Silver
RA-40582-W30-ND-03	RADO 5 - RA-40582 - 4 x 12 LED - 17 W - 32°x88° - 3000K - On/Off - White
RA-40582-W40-ND-03	RADO 5 - RA-40582 - 4 x 12 LED - 17 W - 32°x88° - 4000K - On/Off - White
RA-40582-W30-DA-06	RADO 5 - RA-40582 - 4 x 12 LED - 17 W - 32°x88° - 3000K - DALI - Bronze

RADO

RA-40582-W40-DA-06	RADO 5 - RA-40582 - 4 x 12 LED - 17 W - 32°x88° - 4000K - DALI - Bronze
RA-40582-W30-DI-05	RADO 5 - RA-40582 - 4 x 12 LED - 17 W - 32°x88° - 3000K - 1-10V - Matt Silver
RA-40582-W40-DI-05	RADO 5 - RA-40582 - 4 x 12 LED - 17 W - 32°x88° - 4000K - 1-10V - Matt Silver
RA-40692-W30-ND-06	RADO 6 - RA-40692 - 30 LED - 11 W - 31°x88° - 3000K - On/Off - Bronze
RA-40692-W40-ND-06	RADO 6 - RA-40692 - 30 LED - 11 W - 31°x88° - 4000K - On/Off - Bronze
RA-40692-W30-ND-03	RADO 6 - RA-40692 - 30 LED - 11 W - 31°x88° - 3000K - On/Off - White
RA-40692-W40-ND-03	RADO 6 - RA-40692 - 30 LED - 11 W - 31°x88° - 4000K - On/Off - White
RA-40692-W30-ND-02	RADO 6 - RA-40692 - 30 LED - 11 W - 31°x88° - 3000K - On/Off - Dark Grey
RA-40692-W40-ND-02	RADO 6 - RA-40692 - 30 LED - 11 W - 31°x88° - 4000K - On/Off - Dark Grey
RA-40692-W30-ND-01	RADO 6 - RA-40692 - 30 LED - 11 W - 31°x88° - 3000K - On/Off - Black
RA-40692-W40-ND-01	RADO 6 - RA-40692 - 30 LED - 11 W - 31°x88° - 4000K - On/Off - Black
RA-40692-W30-ND-05	RADO 6 - RA-40692 - 30 LED - 11 W - 31°x88° - 3000K - On/Off - Matt Silver
RA-40692-W40-ND-05	RADO 6 - RA-40692 - 30 LED - 11 W - 31°x88° - 4000K - On/Off - Matt Silver
RA-40701-W30-DI-02	RADO 7 - RA-40701 - 1 COB - 20 W - 42°x69° - 3000K - 1-10V - Dark Grey
RA-40701-W40-DI-02	RADO 7 - RA-40701 - 1 COB - 20 W - 42°x69° - 4000K - 1-10V - Dark Grey
RA-40701-W30-ND-03	RADO 7 - RA-40701 - 1 COB - 20 W - 42°x69° - 3000K - On/Off - White
RA-40701-W40-ND-03	RADO 7 - RA-40701 - 1 COB - 20 W - 42°x69° - 4000K - On/Off - White
RA-40701-W30-DA-06	RADO 7 - RA-40701 - 1 COB - 20 W - 42°x69° - 3000K - DALI - Bronze
RA-40701-W40-DA-06	RADO 7 - RA-40701 - 1 COB - 20 W - 42°x69° - 4000K - DALI - Bronze
RA-40701-W30-DA-02	RADO 7 - RA-40701 - 1 COB - 20 W - 42°x69° - 3000K - DALI - Dark Grey
RA-40701-W40-DA-02	RADO 7 - RA-40701 - 1 COB - 20 W - 42°x69° - 4000K - DALI - Dark Grey
RA-40701-W30-DA-01	RADO 7 - RA-40701 - 1 COB - 20 W - 42°x69° - 3000K - DALI - Black
RA-40701-W40-DA-01	RADO 7 - RA-40701 - 1 COB - 20 W - 42°x69° - 4000K - DALI - Black
RA-40701-W30-DA-03	RADO 7 - RA-40701 - 1 COB - 20 W - 42°x69° - 3000K - DALI - White
RA-40701-W40-DA-03	RADO 7 - RA-40701 - 1 COB - 20 W - 42°x69° - 4000K - DALI - White
RA-40701-W30-DI-05	RADO 7 - RA-40701 - 1 COB - 20 W - 42°x69° - 3000K - 1-10V - Matt Silver
RA-40701-W40-DI-05	RADO 7 - RA-40701 - 1 COB - 20 W - 42°x69° - 4000K - 1-10V - Matt Silver
RA-40701-W30-DI-06	RADO 7 - RA-40701 - 1 COB - 20 W - 42°x69° - 3000K - 1-10V - Bronze
RA-40701-W40-DI-06	RADO 7 - RA-40701 - 1 COB - 20 W - 42°x69° - 4000K - 1-10V - Bronze
RA-40701-W30-DI-01	RADO 7 - RA-40701 - 1 COB - 20 W - 42°x69° - 3000K - 1-10V - Black
RA-40701-W40-DI-01	RADO 7 - RA-40701 - 1 COB - 20 W - 42°x69° - 4000K - 1-10V - Black
RA-40701-W30-DI-03	RADO 7 - RA-40701 - 1 COB - 20 W - 42°x69° - 3000K - 1-10V - White
RA-40701-W40-DI-03	RADO 7 - RA-40701 - 1 COB - 20 W - 42°x69° - 4000K - 1-10V - White
RA-40701-W30-ND-05	RADO 7 - RA-40701 - 1 COB - 20 W - 42°x69° - 3000K - On/Off - Matt Silver
RA-40701-W40-ND-05	RADO 7 - RA-40701 - 1 COB - 20 W - 42°x69° - 4000K - On/Off - Matt Silver
RA-40701-W30-ND-02	RADO 7 - RA-40701 - 1 COB - 20 W - 42°x69° - 3000K - On/Off - Dark Grey
RA-40701-W40-ND-02	RADO 7 - RA-40701 - 1 COB - 20 W - 42°x69° - 4000K - On/Off - Dark Grey
RA-40701-W30-ND-01	RADO 7 - RA-40701 - 1 COB - 20 W - 42°x69° - 3000K - On/Off - Black
RA-40701-W40-ND-01	RADO 7 - RA-40701 - 1 COB - 20 W - 42°x69° - 4000K - On/Off - Black
RA-40701-W30-DA-05	RADO 7 - RA-40701 - 1 COB - 20 W - 42°x69° - 3000K - DALI - Matt Silver
RA-40701-W40-DA-05	RADO 7 - RA-40701 - 1 COB - 20 W - 42°x69° - 4000K - DALI - Matt Silver
RA-40701-W30-ND-06	RADO 7 - RA-40701 - 1 COB - 20 W - 42°x69° - 3000K - On/Off - Bronze
RA-40701-W40-ND-06	RADO 7 - RA-40701 - 1 COB - 20 W - 42°x69° - 4000K - On/Off - Bronze
RA-40711-W40-ND-05	RADO 7 - RA-40711 - 1 COB - 20 W - 42°x69° - 4000K - On/Off - Matt Silver
RA-40711-W30-ND-05	RADO 7 - RA-40711 - 1 COB - 20 W - 42°x69° - 3000K - On/Off - Matt Silver
RA-40711-W40-ND-02	RADO 7 - RA-40711 - 1 COB - 20 W - 42°x69° - 4000K - On/Off - Dark Grey
RA-40711-W30-ND-02	RADO 7 - RA-40711 - 1 COB - 20 W - 42°x69° - 3000K - On/Off - Dark Grey
RA-40711-W40-ND-06	RADO 7 - RA-40711 - 1 COB - 20 W - 42°x69° - 4000K - On/Off - Bronze
RA-40711-W30-ND-06	RADO 7 - RA-40711 - 1 COB - 20 W - 42°x69° - 3000K - On/Off - Bronze
RA-40711-W40-ND-01	RADO 7 - RA-40711 - 1 COB - 20 W - 42°x69° - 4000K - On/Off - Black
RA-40711-W30-ND-01	RADO 7 - RA-40711 - 1 COB - 20 W - 42°x69° - 3000K - On/Off - Black
RA-40711-W40-ND-03	RADO 7 - RA-40711 - 1 COB - 20 W - 42°x69° - 4000K - On/Off - White
RA-40711-W30-ND-03	RADO 7 - RA-40711 - 1 COB - 20 W - 42°x69° - 3000K - On/Off - White
RA-40711-W40-DI-05	RADO 7 - RA-40711 - 1 COB - 20 W - 42°x69° - 4000K - 1-10V - Matt Silver
RA-40711-W30-DI-05	RADO 7 - RA-40711 - 1 COB - 20 W - 42°x69° - 3000K - 1-10V - Matt Silver
RA-40711-W40-DI-02	RADO 7 - RA-40711 - 1 COB - 20 W - 42°x69° - 4000K - 1-10V - Dark Grey
RA-40711-W30-DI-02	RADO 7 - RA-40711 - 1 COB - 20 W - 42°x69° - 3000K - 1-10V - Dark Grey
RA-40711-W40-DI-06	RADO 7 - RA-40711 - 1 COB - 20 W - 42°x69° - 4000K - 1-10V - Bronze
RA-40711-W30-DI-06	RADO 7 - RA-40711 - 1 COB - 20 W - 42°x69° - 3000K - 1-10V - Bronze
RA-40711-W40-DI-01	RADO 7 - RA-40711 - 1 COB - 20 W - 42°x69° - 4000K - 1-10V - Black

RADO

RA-40711-W30-DI-01	RADO 7 - RA-40711 - 1 COB - 20 W - 42°x69° - 3000K - 1-10V - Black
RA-40711-W40-DI-03	RADO 7 - RA-40711 - 1 COB - 20 W - 42°x69° - 4000K - 1-10V - White
RA-40711-W30-DI-03	RADO 7 - RA-40711 - 1 COB - 20 W - 42°x69° - 3000K - 1-10V - White
RA-40711-W40-DA-05	RADO 7 - RA-40711 - 1 COB - 20 W - 42°x69° - 4000K - DALI - Matt Silver
RA-40711-W30-DA-05	RADO 7 - RA-40711 - 1 COB - 20 W - 42°x69° - 3000K - DALI - Matt Silver
RA-40711-W40-DA-02	RADO 7 - RA-40711 - 1 COB - 20 W - 42°x69° - 4000K - DALI - Dark Grey
RA-40711-W30-DA-02	RADO 7 - RA-40711 - 1 COB - 20 W - 42°x69° - 3000K - DALI - Dark Grey
RA-40711-W40-DA-06	RADO 7 - RA-40711 - 1 COB - 20 W - 42°x69° - 4000K - DALI - Bronze
RA-40711-W30-DA-06	RADO 7 - RA-40711 - 1 COB - 20 W - 42°x69° - 3000K - DALI - Bronze
RA-40711-W40-DA-01	RADO 7 - RA-40711 - 1 COB - 20 W - 42°x69° - 4000K - DALI - Black
RA-40711-W30-DA-01	RADO 7 - RA-40711 - 1 COB - 20 W - 42°x69° - 3000K - DALI - Black
RA-40711-W40-DA-03	RADO 7 - RA-40711 - 1 COB - 20 W - 42°x69° - 4000K - DALI - White
RA-40711-W30-DA-03	RADO 7 - RA-40711 - 1 COB - 20 W - 42°x69° - 3000K - DALI - White